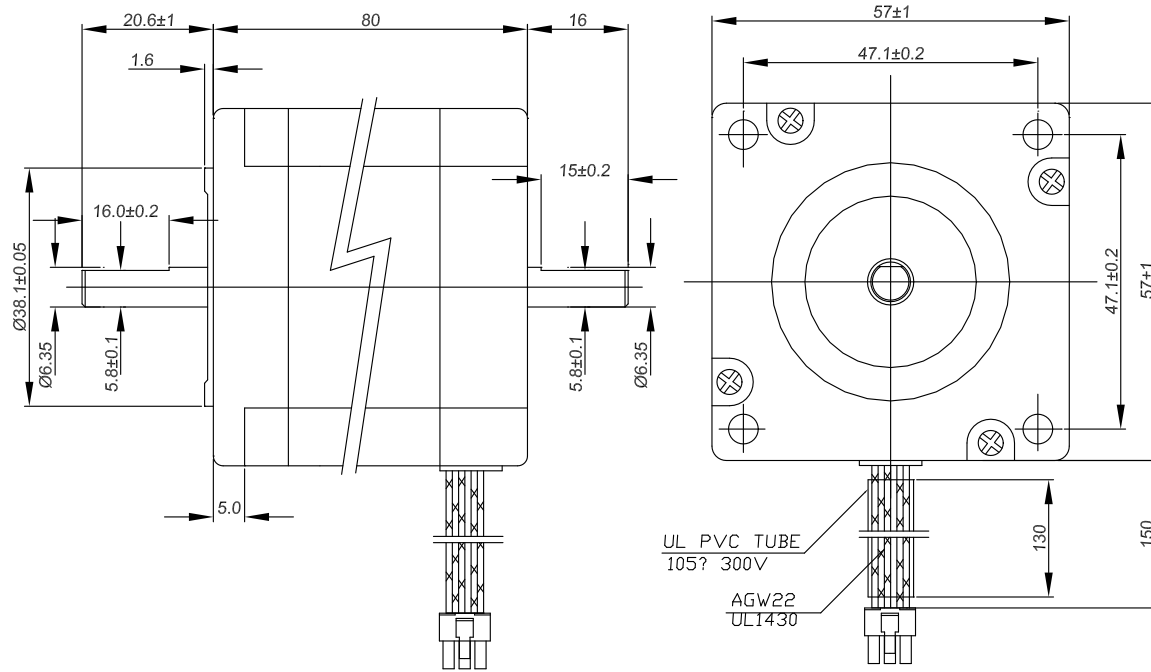
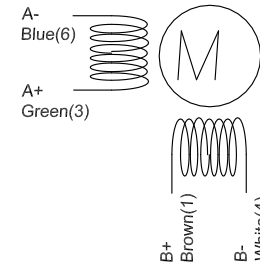


MP-2302-D



UL PVC TUBE
105? 300V
AGW22
UL1430

Molex-Waldom 6-Pin
Mini-Ft Jr. Receptacle
PN 39-01-2060
Female Pins
39-00-0039



PARAMETER	UNIT	DATA
RESISTANCE/PHASE	ohm±10%	1.7
INDUCTANCE/PHASE	mH±20%	9.0
VOLTAGE/PHASE	VDC	3.4
CURRENT/PHASE	A	2.0
HOLDING TORQUE	N-m (oz-in)	1.9 (269)
MASS	kg (lbs.)	1.15 (2.5)
INERTIA	g-cm ²	480
STEP ANGLE		1.8°
POSITIONAL ACCURACY		+/- 5%
MAX RADIAL PLAY (at 400g load)		0.025 mm
NUMBER OF PHASES		2

INSULATING CLASS	B
DIELECTRIC STRENGTH	500 VDC
INSULATION RESISTANCE	100 MOhm (500VDC)
MAX TEMPERATURE RISE	80°C
WIRES	4

FLASHCUT GNC
CONTROL MADE SIMPLE

MP-2302-D

1:1