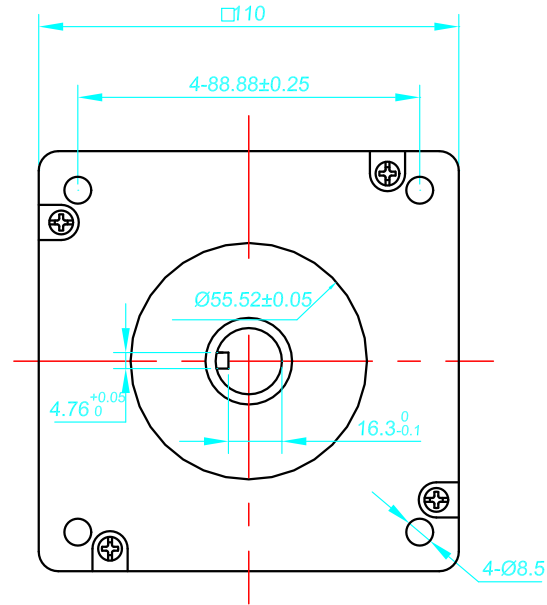
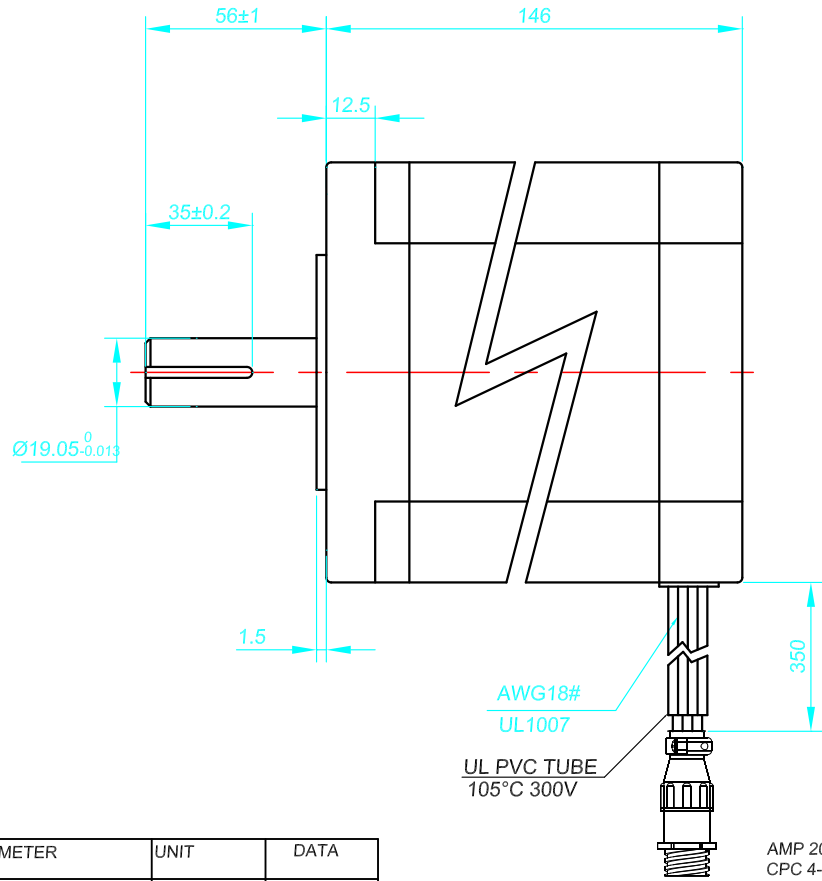
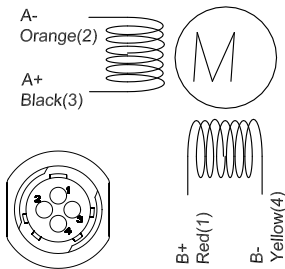


MP-4201



AMP 206153  
CPC 4-Pos. Socket  
w/ AMP 206062  
CPC Cable Clamp  
w/ AMP 66180-1  
Male Pins

Pin Assignments



PARAMETER	UNIT	DATA
RESISTANCE/PHASE	ohm±10%	0.32
INDUCTANCE/PHASE	mH±20%	5.5
VOLTAGE/PHASE	VDC	2.72
CURRENT/PHASE	A	8.5
HOLDING TORQUE	N-m (oz-in)	20 (2830)
MASS	kg (lbs.)	8.5 (18.7)
INERTIA	g-cm <sup>2</sup>	11000
STEP ANGLE		1.8°
POSITIONAL ACCURACY		+/- 5%
MAX RADIAL PLAY (at 400g load)		0.025 mm
NUMBER OF PHASES		2

INSULATING CLASS	B
DIELECTRIC STRENGTH	500 VDC
INSULATION RESISTANCE	100 MOhm (500VDC)
MAX TEMPERATURE RISE	80°C
WIRES	4

**FLASHCUT GNC**  
CONTROL MADE SIMPLE

**MP-4201**