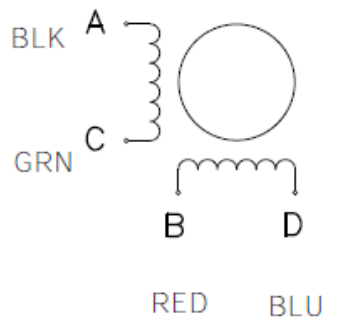


Pin No. vs. Lead Wire Colour

PIN No.	Colour
1	BLU
2	RED
3	BLK
4	GRN

Wiring Diagram



EXciting Sequence vs. Direction of Rotation

STEP	A	B	C	D	CCW
1	+	+	-	-	
2	-	+	+	-	
3	-	-	+	+	
4	+	-	-	+	

Clockwise view from mounting side

Label Detail

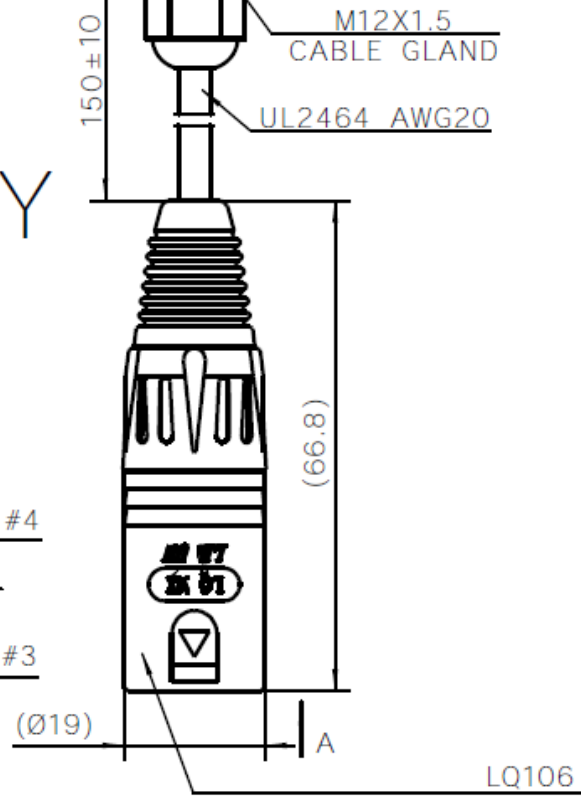
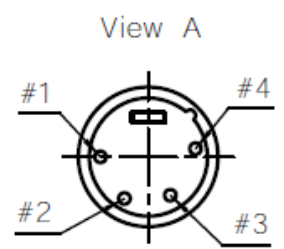
TYPE 4611110009187  
 P/N MP-2302  
 2.0A 3.4V 274oz-in  
 XXXXXXXX YY/MM/DD

Work Order Date Format

PRELIMINARY

Specifications

1. Number of Phase	2
2. Step Angle	1.8°
3. Rated Voltage	3.4V DC
4. Rated Current	2.0 Amp
5. Holding Torque	1.72 N.m Min.(Two phase on/rated current)
6. Phase Resistance	1.7 ohm±15%(20°C)
7. Phase Inductance	8.3 mH±20%(1kHz 1V rms)
8. Rotor Inertia	460g.cm <sup>2</sup>
9. Motor Weight	1kg
10. Insulation Class	B(130°C)



444 Lake Cook Road Suite 22, Deerfield, IL 60015  
 Tel. (847) 940.9305 Fax (847) 940.9315  
 www.flashcutcnc.com

Part Number: <b>MP-2302</b>		Part Description: <b>NEMA 23 2 Stack High Torque Stepper Motor</b>		
Material:		Color:		
Tolerance: X.XX ± 0.010	Finish:	Date: <b>2013.10.24</b>		Units: <b>mm</b>
X.XXX ± 0.005		Revision: <b>A</b>		Scale: <b>None</b>
X.XXXX ± 0.001				Sheet: <b>1 OF 1</b>
BEND ± 1°				

