

MV-2302

Encoder

Voltage: +5VDC ± 5%

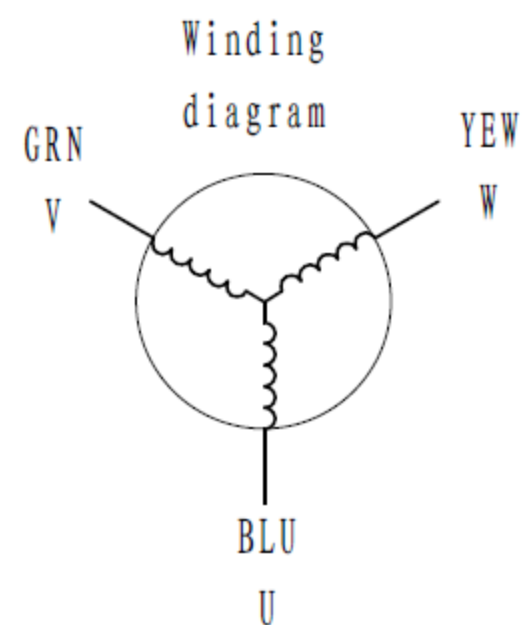
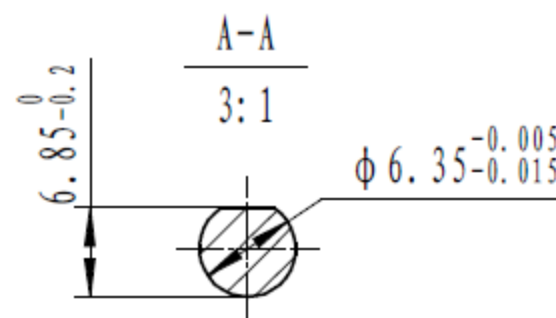
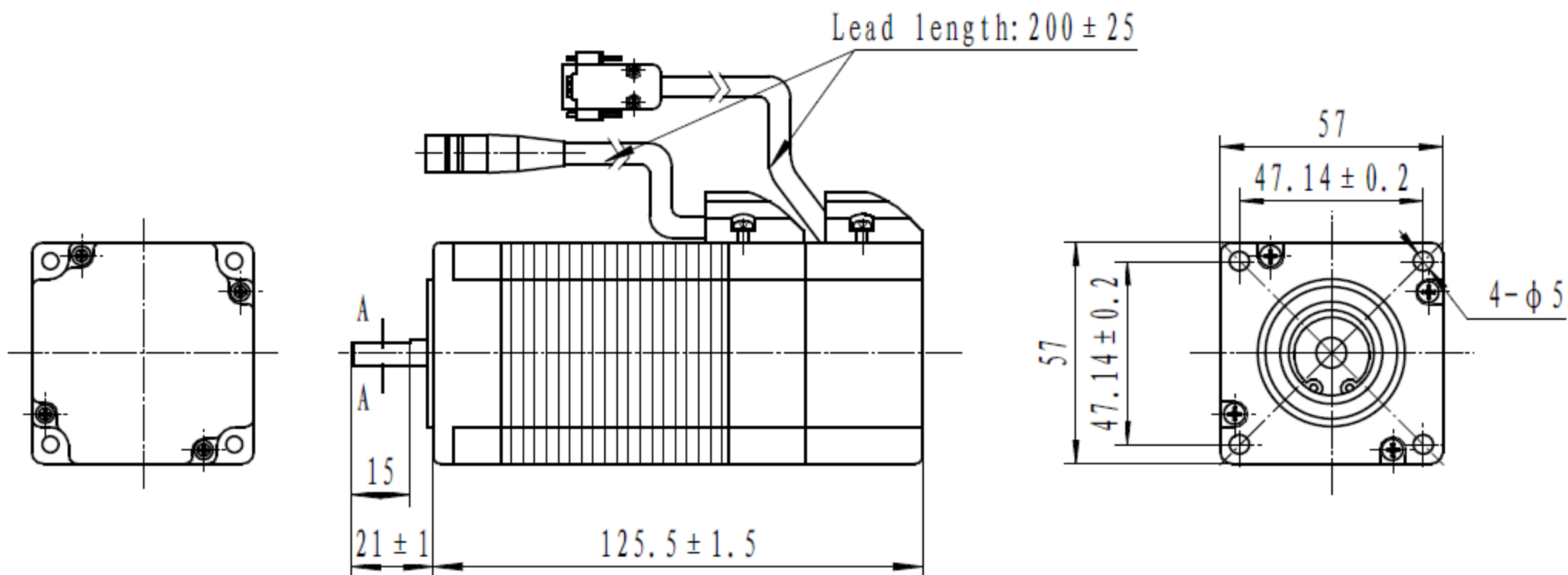
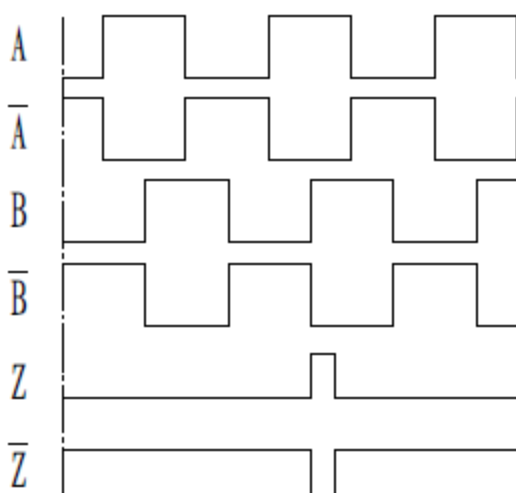
Current: 150mA Max

Frequency: 0-125KHz

Temp.: -20-100° C

Pulse: 1000

Encoder Output

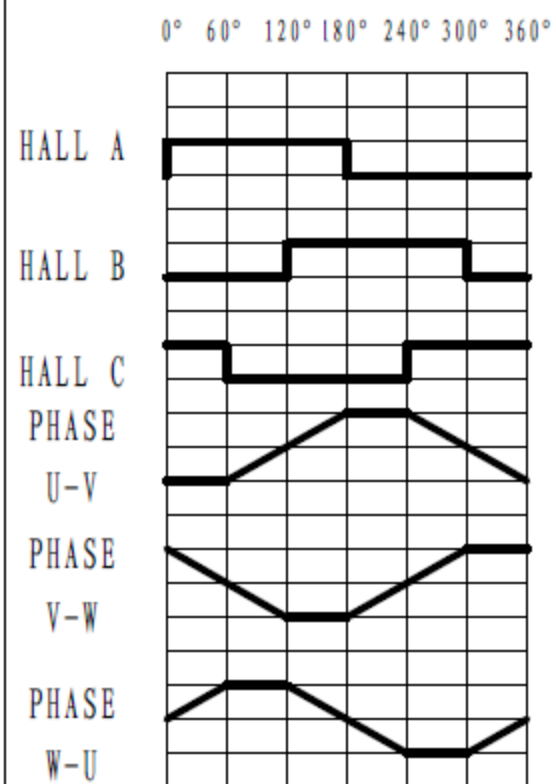


Rotation CCW form shaft side

Motor Performance

No.	Parameter	Unit	Value
1	Voltage	V	24
2	Phase	m	3
3	Pole	P	8
4	Rated Torque	N. m	0.45
5	Rated Speed	rpm	1800 ± 10%
6	Rated Current	A	5 ± 20%
7	Power	W	85
8	R(L-L)	ohm	0.85
9	H(L-L)	mH	0.82
10	Ke	V/Krpm	6.8
11			
12			

TIMING DIAGRAM



Direction of Rotation: CW (Viewed from flange)

Encoder Connection										Motor		
1	2	3	4	5	9	10	11	12	13	1	2	3
Grey	Red	Violet	Pink	Orange	Blue	Black	White	Yellow	Green	Blue	Green	Yellow
HALL B	+5VDC	HALL C	B-	A-	HALL A	GND	Z	B	A	U	V	W



MV-2302