

FLASHCUT CNC

CONTROL MADE SIMPLE

®

Model 501A

Signal Generator



Midwest Office

444 Lake Cook Road, Suite 22
Deerfield, IL 60015

Phone (847) 940-9305 ♦ Fax (847) 940-9315

www.flashcutcnc.com

Revised 11/02/2010

© 1998-2010 WPI, Inc.

Table of Contents

1. GETTING STARTED	5
ABOUT THIS MANUAL	5
TURNING OFF THE CONTROLLER	5
SAFETY AND USAGE GUIDELINES.....	6
2. HARDWARE GUIDE	7
OVERVIEW OF THE SIGNAL GENERATOR	7
FRONT PANEL.....	7
REAR PANEL	8
REMOVING THE SIGNAL GENERATOR TOP COVER	12
JUMPER SETTINGS	12
<i>JP83 – Chassis Ground</i>	12
<i>JP84/JP85 – Input Power Select</i>	13
INTERNAL CONNECTORS	14
<i>JP30 – Auxiliary Inputs</i>	15
<i>JP32 – Bus Expansion</i>	16
<i>JP33 – Step & Direction</i>	16
<i>JP40 – Input Aux Header</i>	17
<i>JP50 – Output Aux Header</i>	17
<i>JP80 – Rear Panel Power</i>	18
<i>JP81 – Rear Panel Fuse</i>	18
<i>JP82 – Front Panel Switch</i>	18
PLUG-IN CARD INTERFACES.....	18
3. SAMPLE WIRING DIAGRAMS.....	21
TYPICAL MOTOR SIGNAL CIRCUIT FOR HALF-STEPPING AND MICRO-STEPPING DRIVES	22
TYPICAL MOTOR SIGNAL CIRCUIT II.....	23
TYPICAL MOTOR SIGNAL CIRCUIT FOR GECKO DRIVES	24
TYPICAL OUTPUT LINE CIRCUIT.....	25
TYPICAL INPUT LINE CIRCUIT – INTERNAL POWER	26
TYPICAL INPUT LINE CIRCUIT – EXTERNAL POWER	27
4. APPENDIX	29
SIGNAL GENERATOR BOARD LAYOUT	29
CONNECTOR PIN-OUT TABLE.....	30
POWER	32
OUTPUTS	33
INPUTS	34
CONNECTORS	35
PLUG-IN CARD INTERFACE.....	36

1. Getting Started

About this Manual

FlashCut CNC is a unique application involving hardware and software. We recommend that you read all of these instructions before using the product.

Since automated machining is potentially dangerous, please take the time to completely read through this manual and the software User's Guide to understand the operation of the electronics, software and machine before cutting a part.

Turning off the Controller

Always turn off the Signal Generator when it is not in use.

Safety and Usage Guidelines

When running an automated machine tool, safety is of the utmost importance. For proper and safe use of the FlashCut CNC program and your CNC machine, the following safety guidelines must be followed:

1. Never let the machine tool run unattended.
2. Require any person in the same room as a running machine tool to wear safety goggles, and to stay a safe distance from the machine.
3. Allow only trained operators to run the machine tool. Any operator must have:
 - Knowledge of machine tool operation.
 - Knowledge of personal computer operation.
 - Knowledge of Microsoft Windows.
 - Good common sense.
4. Place safety guards around the machine to prevent injury from flying objects. It is highly recommended that you build a safety shield around the entire tool envelope.
5. Never place any part of your body within the tool envelope while the machine is online, since unexpected machine movement can occur at any time.
6. Always keep the tool envelope tidy and free of any loose objects.
7. Be on alert for computer crashes at all times.

FlashCut CNC, Inc. is not responsible for the safe installation and use of this product. You and only you are responsible for the safety of yourself and others during the operation of your CNC machine tool. FlashCut CNC supplies this product but has no control over how it is installed or used. Always be careful!

FlashCut CNC, Inc. or its affiliates are not responsible for damage to any equipment or workpiece resulting from use of this product.

If you do not understand and agree with all of the above safety guidelines, do not use this product.

2. Hardware Guide

Overview of the Signal Generator

The Signal Generator provides a flexible interface that controls up to 5 stepper or digital servo motor drivers, 8 output lines and 8 input lines. It works in conjunction with the FlashCut CNC software. Please note that there are several software and hardware settings that affect the use of the Signal Generator. These settings are described in this manual and in the software User's Guide. An optional I/O expansion board provides an additional 24 output and 24 input lines.

Front Panel

The front panel of the signal generator has the power on/off switch and 7 LED's with the following functions:



1, 2, 3, 4, 5 – Turns green when the respective motor is moving.

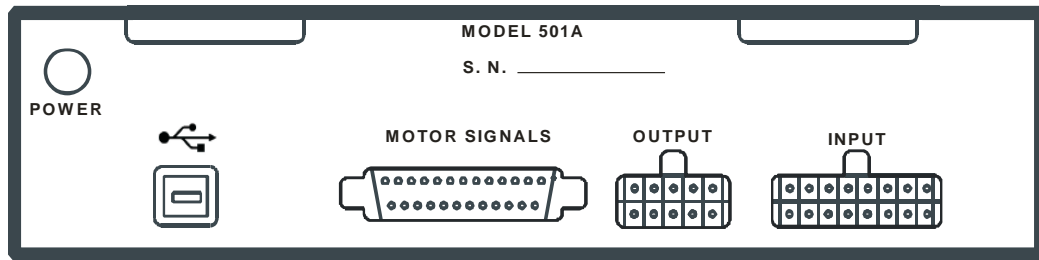
USB – Turns yellow when connected to the host PC USB port.

Power – Turns green when the power switch is turned on.

On/Off Switch – Turns the unit on and off. If there is ever a communications error while running FlashCut CNC, turn the switch off and on to reset the internal microprocessor.

Rear Panel

The rear panel has connectors for input and output signals as described below.



DC IN – Receptacle for the power supply. The unit is shipped with a 9V DC, 1200-2400mA wall transformer power supply. If needed, an 8.5V – 16V DC or 10 – 12V AC transformer of at least 1200mA can be substituted. A switching DC power supply is recommended for best performance and noise immunity.

The following chart defines the estimated current draw with all operating **INPUTS** and **OUTPUTS** asserted at full current.

Configuration	Inputs	Outputs	Motors	Plug-In Cards	Current Draw (mA)
501A Only	8	8	5		1000
501A+5 Plug-In Cards	8	8		5	1050
501A+I/O Expansion Board	16	16	5		1450
501A+I/O Expansion Board+5 Plug-In Cards	16	16		5	1500
501A+I/O Expansion Board	32	32	5		2150

USB – USB connector for communication with the USB port on the host PC. Use a USB-A to B cable with a maximum length of 3 meters to make the connection. For the most robust communication, plug the cable directly into PC, as opposed to a USB repeater or a hub. If the FlashCut software loses communication with the Signal Generator, electrical noise may be the cause. To reduce electrical noise problems, try using a shorter USB cable, or attach one or more ferrite chokes to the USB cable. Toroid-shaped chokes are more effective than snap-on cylindrical chokes.

INPUT – The connector for up to 8 input lines. The most common use of the input lines is for limit or safety switches. These lines are all TTL- and CMOS-compatible optically isolated inputs. When a switch is open, its input signal is high (+5V). When the switch is closed, its input signal is grounded low (0V).

The default setting for each of the input lines is normally closed (NC). The input line settings can be individually changed between normally closed (NC) or normally open (NO) input lines using FlashCut software. Please refer to the FlashCut User’s Guide under “Input Line Settings” for further information.

In the FlashCut CNC software, the Input Line Status dialog displays "OPEN" for a high-level input voltage, or open switch, and "CLOSED" for a low-level input voltage or closed switch.

The input lines are all optically isolated. Jumpers J84 and J85 enable you to choose between the internal power of the Signal Generator and isolated power from an external source. Both jumpers must be set on the same pair of pins (either both must be on pins 1 and 2 or both must be on pins 2 and 3).

- Internal Power

This is the most convenient option and works well for most applications, but negates some of the signal isolation. When JP84 shorts pins 1 and 2, OPT VCC gets its power from the Internal 5V power source. When JP85 shorts pins 1 and 2, OPT GND is directly connected to the Internal GND.

External Isolated Power

For the best noise immunity, connect an external 5V-24V power supply to the LED side of the optical couplers. When JP84 shorts pins 2 and 3, OPT VCC gets its optically isolated power from the TB-VCC. When JP85 shorts pins 2 and 3, OPT GND is directly connected to the TB-GND.

Choose **only one** of the following methods to supply power:

1. Connect a power source to the TB 40 screw terminal.
2. Connect a power source through pins 23 and 25 of the DB-25 connector.

If you are providing an external voltage through pins 23 and 25 of the DB25 Motor Signal connector or via TB-40, then you must have both JP84 and JP85 jump pins 2 and 3, OTHERWISE SEVERE DAMAGE COULD RESULT.

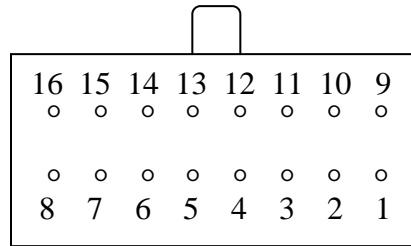
BE VERY CAREFUL WHEN DOING ANY WIRING. IMPROPER WIRING WILL DAMAGE THE SIGNAL GENERATOR.

Input lines 1, 2, 3 & 4 are also connected through pins 15, 16, 17 & 18 respectively of the Motor Signal connector, and input lines 5, 6, 7 & 8 are also connected through pins 5, 6, 7 & 8 respectively of the Motor Signal connector. This makes it convenient to send any signals from your motor driver box, such as limit lines or servo position error signal, back to the Signal Generator through the DB25 cable without using a separate input cable. Note that if an input line is being used through the Motor Signal connector, that line must remain open in the Input connector.

The receptacle that plugs into this connector is a Molex-Waldom Mini-Fit Jr. Series 16 pin receptacle (part number 39-01-2160), with female pins (part number 39-00-0039 or 39-00-0047 for 22 gauge or thinner wires).

The Molex 63811-1000 for 14-24 AWG universal or Molex 11-01-0197 Crimp Tools are recommended for installing the pins. Kits containing connectors and pins are available through FlashCut CNC or an electronics distributor.

The input lines as seen from the back of the box are arranged as follows (all connections denoted by “OPT-GND” are optically isolated ground.):



Mini-Fit Jr. Pin No.	Signal	Mini-Fit Jr. Pin No.	Signal
1	OPT-GND	9	INPUT 1
2	OPT-GND	10	INPUT 2
3	OPT-GND	11	INPUT 3
4	OPT-GND	12	INPUT 4
5	OPT-GND	13	INPUT 5
6	OPT-GND	14	INPUT 6
7	OPT-GND	15	INPUT 7
8	OPT-GND	16	INPUT 8

OUTPUT – The connector for up to 8 output lines. These lines are all compatible with TTL/CMOS level outputs. The Output ports are not setup to drive a 24V external system unless it accepts TTL/CMOS levels. They are all driven by HCT family logic. Output logic high is normally 5V and can go down to 3.9V at full load. Output logic low is normally 0V and can go up to 0.3V at full load. Each of these signals can provide up to 20mA of current.

Two additional pins on this connector are provided for your output lines: ground and +5V. These are connected to GND and +5V and are not optically isolated. This 5V circuit can source up to 100 mA. Any larger current demand would require a larger power source.

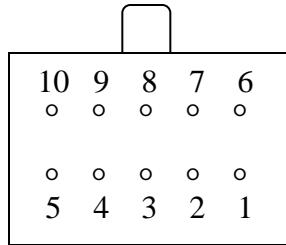
BE VERY CAREFUL WHEN DOING ANY WIRING. IMPROPER WIRING WILL DAMAGE THE SIGNAL GENERATOR.

The output lines are all initialized to low (0V) when you turn on the Signal Generator. Output lines 1 and 2 are also connected through pins 1 and 2 respectively of the Motor Signal connector. This makes it convenient to connect up to 2 output signals to your motor driver box to drive devices such as solid-state relays that might be in your motor driver box.

The receptacle that plugs into this connector is a Molex-Waldom Mini-Fit Jr. Series 10 pin receptacle (part number 39-01-2100), with female pins (part number 39-00-0039 or 39-00-0047 for 22 gauge or thinner wires).

The Molex 63811-1000 for 14-24 AWG universal or Molex 11-01-0197 Crimp Tools are recommended for installing the pins. Kits containing connectors and pins are available through FlashCut CNC or an electronics distributor.

The output lines as seen from the back of the box are arranged as follows:



Mini-Fit Jr. Pin No.	Signal	Mini-Fit Jr. Pin No.	Signal
1	OUTPUT 1	6	OUTPUT 2
2	OUTPUT 3	7	OUTPUT 4
3	OUTPUT 5	8	OUTPUT 6
4	OUTPUT 7	9	OUTPUT 8
5	+5V	10	GROUND

MOTOR SIGNALS – The DB-25 male connector for all signals going out to the stepper or digital servo motor driver(s). If you are using one of the FlashCut CNC motor drivers, connect this to the DB-25 female connector on the motor driver using a DB25 M-F interface cable.

The cable used must be a shielded DB-25 Interface Cable with all 25-pins wired straight through. In high noise situations, a double-shielded cable is recommended.

The main use of this connector is to provide step and direction signals to the motor drivers. Each of these signals can provide up to 20mA of current.

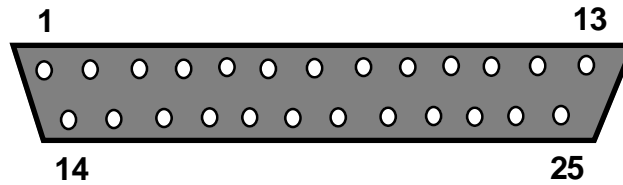
Two input pins are provided for optical ground (pin 25) and optical VCC (pin 23) to power the optical couplers on the input lines (see figure and chart below). You can place a 5 VDC power source across these two pins (the same signal as the 10 pin +5V).

If you are powering input lines internally then you must have both JP84 and JP85 jump pins 1 and 2.

BE VERY CAREFUL WHEN DOING ANY WIRING. IMPROPER WIRING WILL DAMAGE THE MOTOR SIGNAL GENERATOR.

Two pins are directly connected to ground (pin 24) and +5V (pin 22) from the internal power supply. These are provided to power simple, external, 5V electronics associated with your motor driver. They can source up to 100mA.

The motor signal lines as seen from the back of the box are arranged as follows:



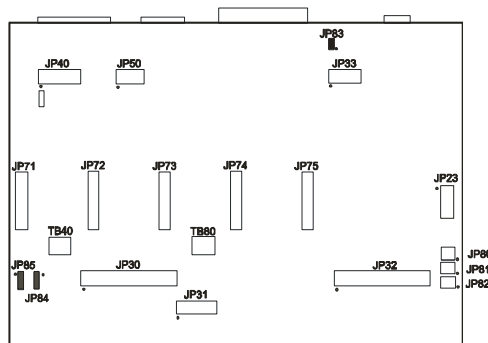
DB25 Pin No.	Signal	DB25 Pin No.	Signal
1	OUTPUT 1	14	ENABLE ALL
2	OUTPUT 2	15	INPUT 1
3	STEP AXIS 5	16	INPUT 2
4	DIRECTION AXIS 5	17	INPUT 3
5	INPUT 5	18	INPUT 4
6	INPUT 6	19	DIRECTION AXIS 4
7	INPUT 7	20	DIRECTION AXIS 3
8	INPUT 8	21	DIRECTION AXIS 2
9	DIRECTION AXIS 1	22	Internal VCC +5V
10	STEP AXIS 4	23	OPT VCC (INPUT)
11	STEP AXIS 3	24	Internal GND
12	STEP AXIS 2	25	OPT GND (INPUT)
13	STEP AXIS 1		

Removing the Signal Generator Top Cover

To remove the cover from the unit, turn the unit over and remove all 4 of the screws. Then flip the unit back over and lift the top cover off.

Jumper Settings

Pin 1 of all jumpers is indicated by a small white dot printed on the PCB.



JP83 – Chassis Ground

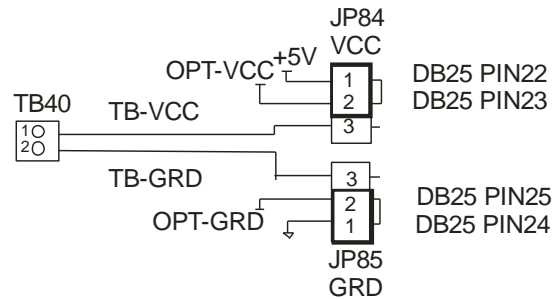
This connects the internal signal ground of the Signal Generator to the chassis ground. Always leave open unless directed otherwise by FlashCut CNC technical support.

JP84/JP85 – Input Power Select

These two jumpers enable you to choose between the internal power of the Signal Generator and isolated power from an external source. Both jumpers must be set on the same pair of pins (either both must be on pins 1 and 2 or both must be on pins 2 and 3).

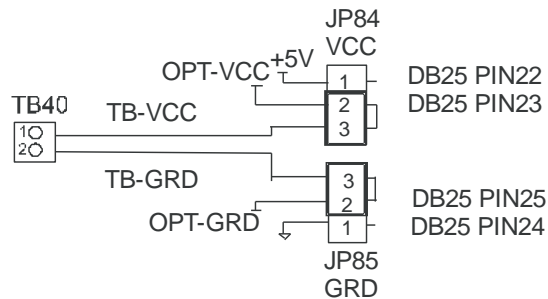
Internal Power

This is the most convenient option and works well for most applications, but negates some of the signal isolation. When JP84 shorts pins 1 and 2, OPT VCC gets its power from the Internal 5V power source. When JP85 shorts pins 1 and 2, OPT GND is directly connected to the Internal GND.



External Isolated Power

For the best noise immunity, connect an external 5V-24V power supply to the LED side of the optical couplers. When JP84 shorts pins 2 and 3, OPT VCC gets its optically isolated power from the TB-VCC. When JP85 shorts pins 2 and 3, OPT GND is directly connected to the TB-GND.



Choose **only one** of the following methods to supply power:

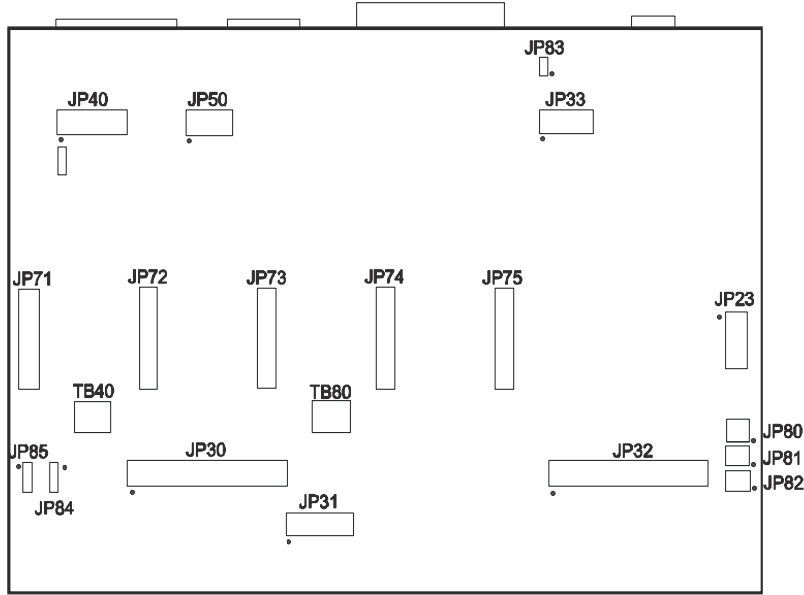
1. Connect a power source to the TB 40 screw terminal.
2. Connect a power source through pins 23 and 25 of the DB-25 connector.
3. Check the resistor value in RP41 to make sure it matches the voltage in TB40.

TB40 Voltage	RP41 Value (10 pin 9 Resistor SIP)
5V	3.9k Ω (Default)
12V	11k Ω
24V	22k Ω

If you are providing an external voltage through pins 23 and 25 of the DB25 Motor Signal connector via TB-40, then you must have both JP84 and JP85 jump pins 2 and 3, OTHERWISE SEVERE DAMAGE COULD OCCUR.

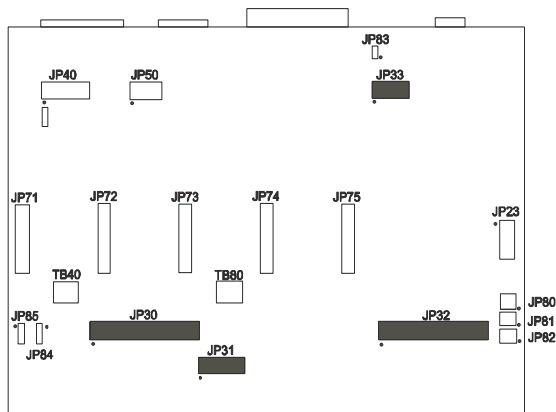
Internal Connectors

The diagram below shows the locations of the internal connectors. The top of the diagram corresponds to the back side of the signal generator (where the external connectors are located). The small dot next to some of the connectors designates the number 1 pin position.



On the following diagrams, the positions of the connectors will be highlighted in black.

Connectors JP30, JP31, JP32, JP33



JP30 – Auxiliary Inputs

This contains all of the Input Signals 1-8 which come out of the 501A board and Input Signals 9-32 which come out of the I/O Expansion board.	+3.3V	1	2	+3.3V
	GPI32	3	4	GPI1
	GPI31	5	6	GPI2
	GPI30	7	8	GPI3
	GPI29	9	10	GPI4
	GPI28	11	12	GPI5
	GPI27	13	14	GPI6
	GPI26	15	16	GPI7
	GPI25	17	18	GPI8
	GND	19	20	GND
	GPI24	21	22	GPI9
	GPI23	23	24	GPI10
	GPI22	25	26	GPI11
	GPI21	27	28	GPI12
	GPI20	29	30	GPI13
	GPI19	31	32	GPI14
	GPI18	33	34	GPI15
	GPI17	35	36	GPI16
	+3.3V	37	38	+3.3V
	GND	39	40	GND

JP31 – Status LEDs

This is for connecting wired LEDs from a custom chassis to the 501A LED signals.	+5V	1	2	N/C
	LED-DIR1	3	4	LED-STEP1
	LED-DIR2	5	6	LED-STEP2
	LED-DIR3	7	8	LED-STEP3
	LED-DIR4	9	10	LED-STEP4
	LED-DIR5	11	12	LED-STEP5
	LED-AUX	13	14	LED-USB
	GND	15	16	LED-PWR

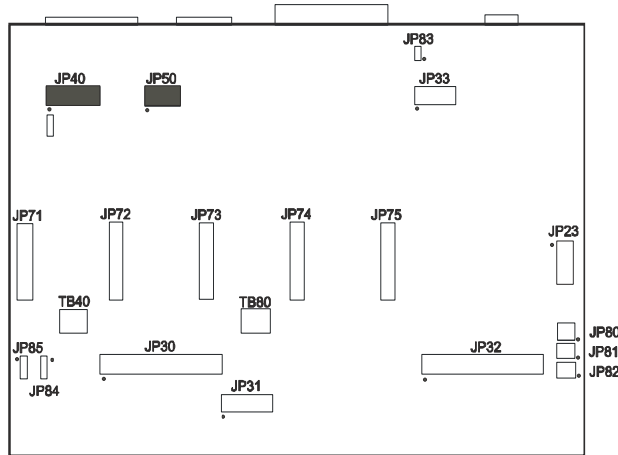
JP32 – Bus Expansion

This contains signal and address lines for the I/O Expansion board.	+3.3V	1	2	GND
	CS6	3	4	STATUS6
	TXD2	5	6	FAULT6
	RXD2	7	8	AUX1-STB
	OUT-ENA	9	10	AUX2-STB
	OUT2-STB	11	12	OUT1-STB
	OUT4-STB	13	14	OUT3-STB
	+5V	15	16	+5V
	GND	17	18	GND
	A0	19	20	A1
	DATA1	21	22	DATA2
	DATA3	23	24	DATA4
	DATA8	25	26	DATA7
	DATA6	27	28	DATA5
	+7V	29	30	+7V
	SPHOME	31	32	ENC CLK
	+3.3V	33	34	ENC DIR
	AGND	35	36	AV+
	DAC2	37	38	DAC1
	ADC1	39	40	AGND

JP33 – Step & Direction

This contains all of the step and direction signals for 5 axes of motion.	STEP5	1	2	ENA
	STEP4	3	4	DIR5
	STEP3	5	6	DIR4
	STEP2	7	8	DIR3
	STEP1	9	10	DIR2
	GND	11	12	DIR1

Connectors JP40, JP50



JP40 – Input Aux Header

This contains the same signals as the Mini-Fit Jr. Input Connector. It is provided for the convenience of using a different input connector or an external input connector on a custom chassis.

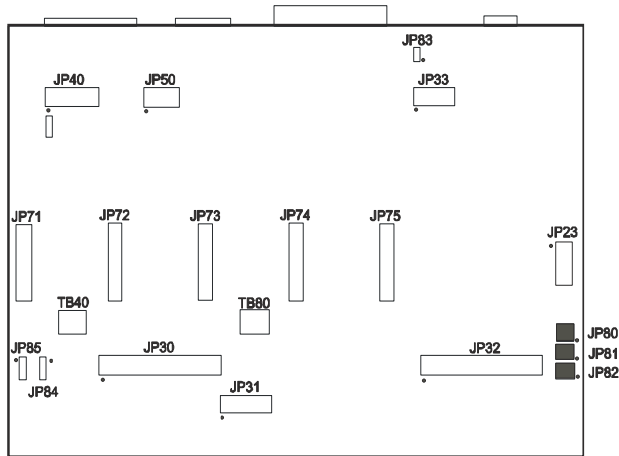
GPI1	1	2	OPT-GND
GPI2	3	4	OPT-GND
GPI3	5	6	OPT-GND
GPI4	7	8	OPT-GND
GPI5	9	10	OPT-GND
GPI6	11	12	OPT-GND
GPI7	13	14	OPT-GND
GPI8	15	16	OPT-GND

JP50 – Output Aux Header

This contains the same signals as the Mini-Fit Jr. Input Connector. It is provided for the convenience of using a different input connector or an external input connector on a custom chassis.

GPO2	1	2	GPO1
GPO4	3	4	GPO3
GPO6	5	6	GPO5
GPO8	7	8	GPO7
GND	9	10	VCC

Connectors JP80, JP81, JP82



JP80 – Rear Panel Power

Connect the main power here. It can be 8.5V – 16V DC or AC. See current draw chart for power requirements.

JP81 – Rear Panel Fuse

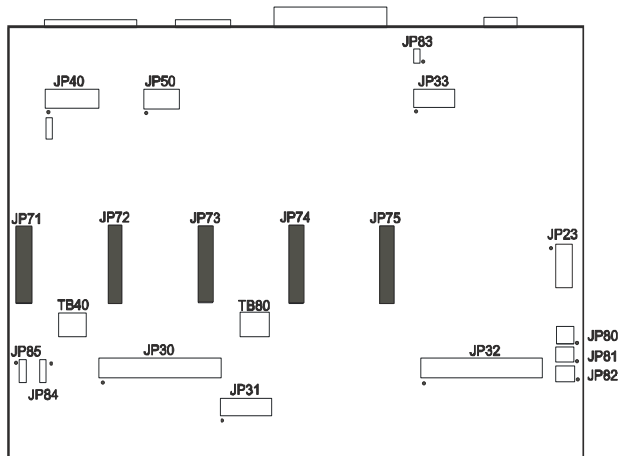
This is for an optional power fuse. The unit is shipped with a shunt instead of a fuse. If you replace the shunt with a fuse, it should be sized according to your power requirements.

JP82 – Front Panel Switch

Connect the main power switch here.

Plug-In Card Interfaces

Plug-In Cards JP71 – JP75



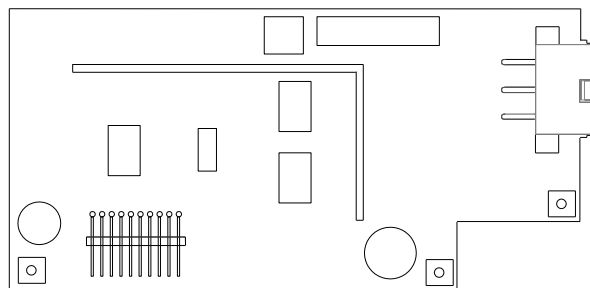
The plug-in card interfaces are used to add additional functions to the main signal generator board. For example, a stepper drive plug-in card will enable you to drive a stepper motor directly from the signal generator box.

1	2
3	4
5	6
7	8
9	10
11	12
13	14
15	16
17	18
19	20

Each of these plug-in cards is a SKT10X2 connector, with the pin configuration on the left. Pin numbers 1-5, 7, 13, 15 and 17-20 perform the same function on each jumper.

Per the chart below, pins 6, 8-12, 14 and 16 have different values of Status, Fault, InputA, Dir, InputB, Step, SCOM and CS respectively for each plug-in card.

Pin No.	Label	Function	JP-71	JP-72	JP-73	JP-74	JP-75
1	HV-PWR	High Voltage Power	HV-PWR	HV-PWR	HV-PWR	HV-PWR	HV-PWR
2	HV-PWR	High Voltage Power	HV-PWR	HV-PWR	HV-PWR	HV-PWR	HV-PWR
3	HV-GND	High Voltage Ground	HV-GND	HV-GND	HV-GND	HV-GND	HV-GND
4	HV-GND	High Voltage Ground	HV-GND	HV-GND	HV-GND	HV-GND	HV-GND
5	RxD2	Serial Com. Receive	RxD2	RxD2	RxD2	RxD2	RxD2
6	STATUS	Status	STATUS1	STATUS2	STATUS3	STATUS4	STATUS5
7	TxD2	Serial Com. Transmit	TxD2	TxD2	TxD2	TxD2	TxD2
8	FAULT	Fault Indicator	FAULT1	FAULT2	FAULT3	FAULT4	FAULT5
9	INPUTA	Input A	IN8	IN10	IN12	IN14	IN16
10	DR	Direction	DR1	DR2	DR3	DR4	DR5
11	INPUTB	Input B	IN9	IN11	IN13	IN15	IN17
12	ST	Step	ST1	ST2	ST3	ST4	ST5
13	SM0	SM0	SM0	SM0	SM0	SM0	SM0
14	SCOM	SCOM	SCOM1	SCOM2	SCOM3	SCOM4	SCOM5
15	SM1	SM1	SM1	SM1	SM1	SM1	SM1
16	CS	Chip Select	CS1	CS2	CS3	CS4	CS5
17	ENA	Enable	ENA	ENA	ENA	ENA	ENA
18	+5V	+5V	+5V	+5V	+5V	+5V	+5V
19	Earth	Earth	Earth	Earth	Earth	Earth	Earth
20	GND	Ground	GND	GND	GND	GND	GND

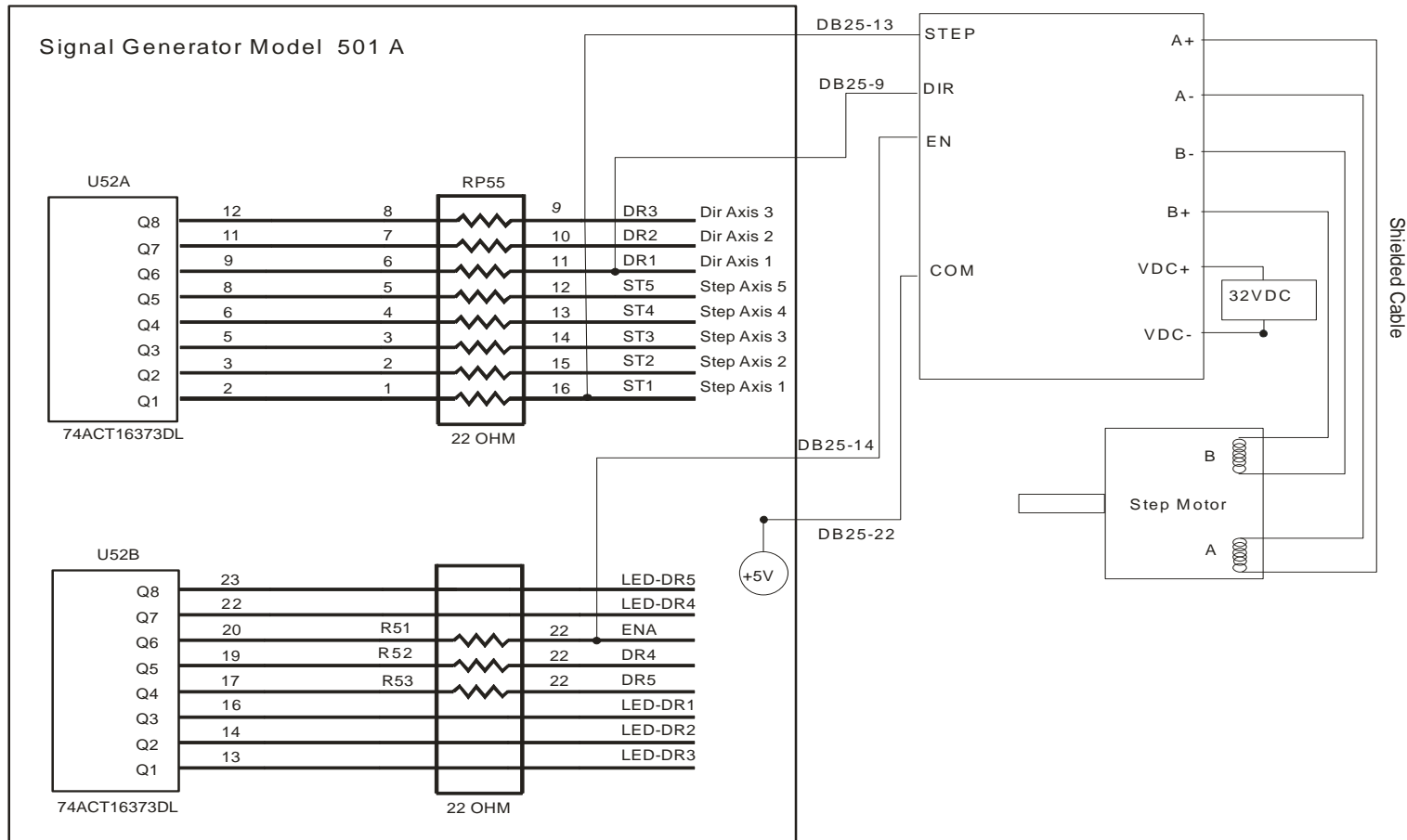


Basic Layout of a Plug-In Board

Connection to the main circuit board is made through the rows of pins on the lower left.

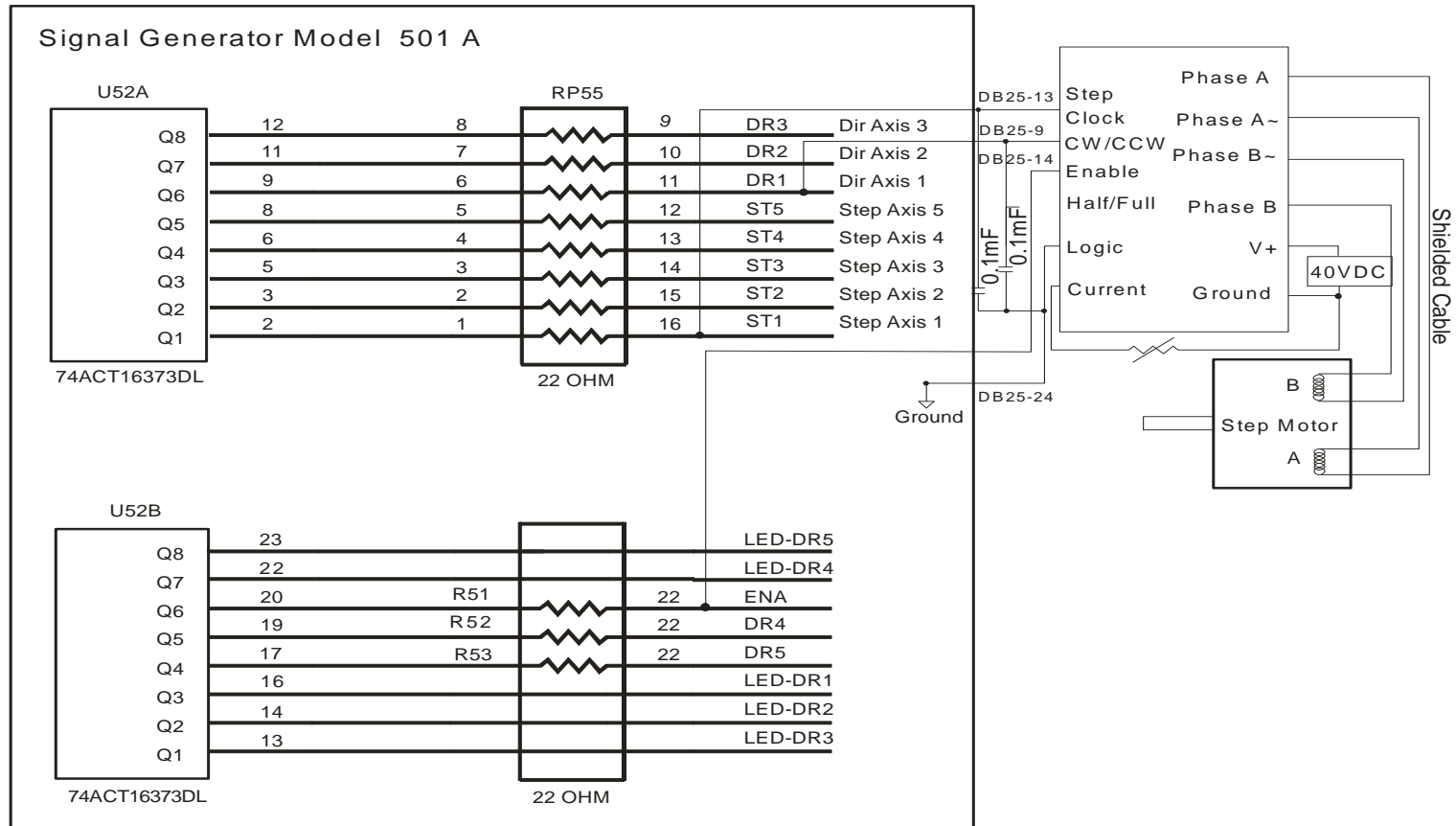
3. Sample Wiring Diagrams

Typical Motor Signal Circuit for Half-Stepping and Micro-Stepping Drives



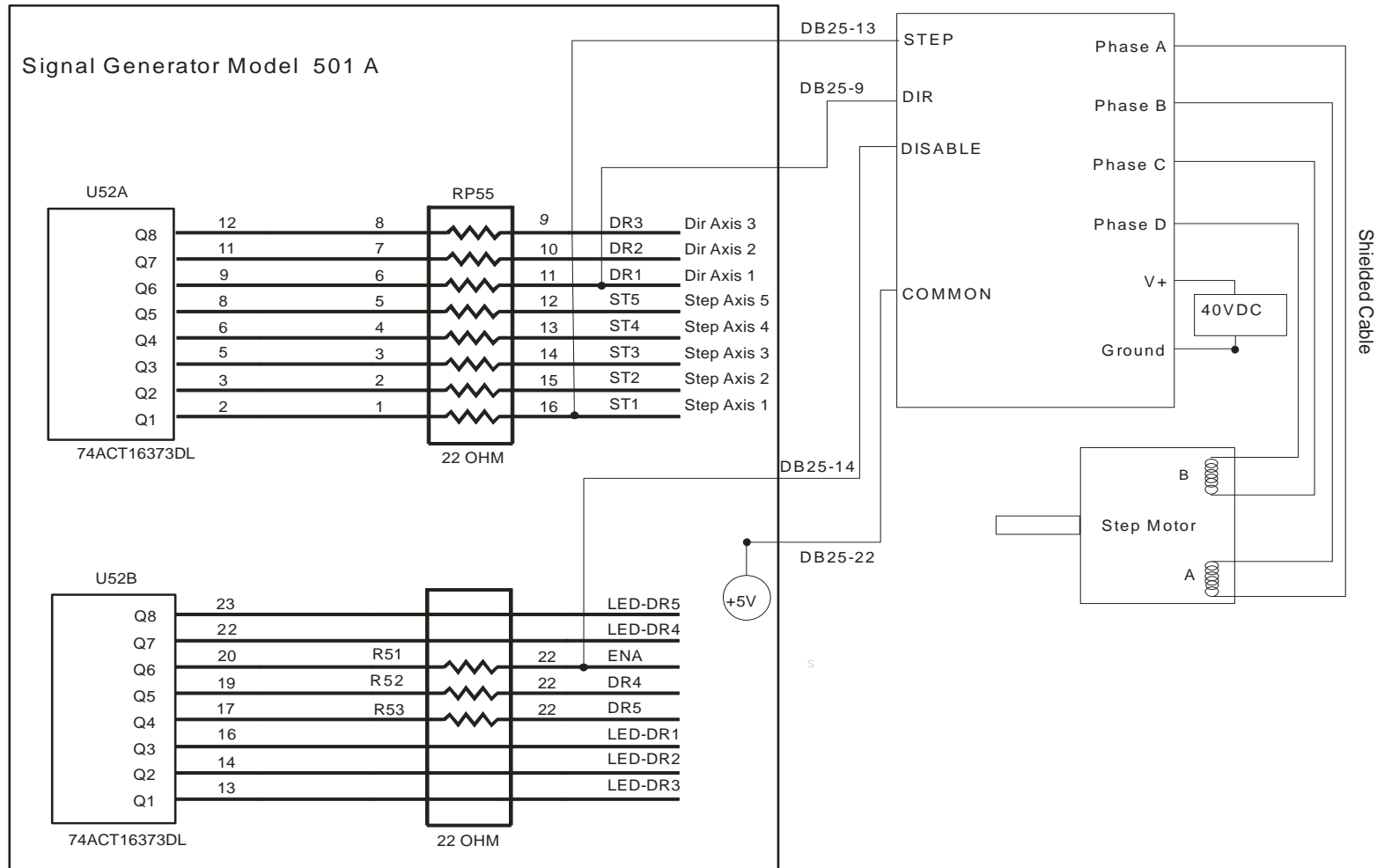
The above schematic shows a typical connection of a single axis motor driver to the motor signals of the Signal Generator. Each of the step and direction signals has a 22 ohm resistor in series with their outputs. This is to reduce any “ringing” at the transient switching points.

Typical Motor Signal Circuit II



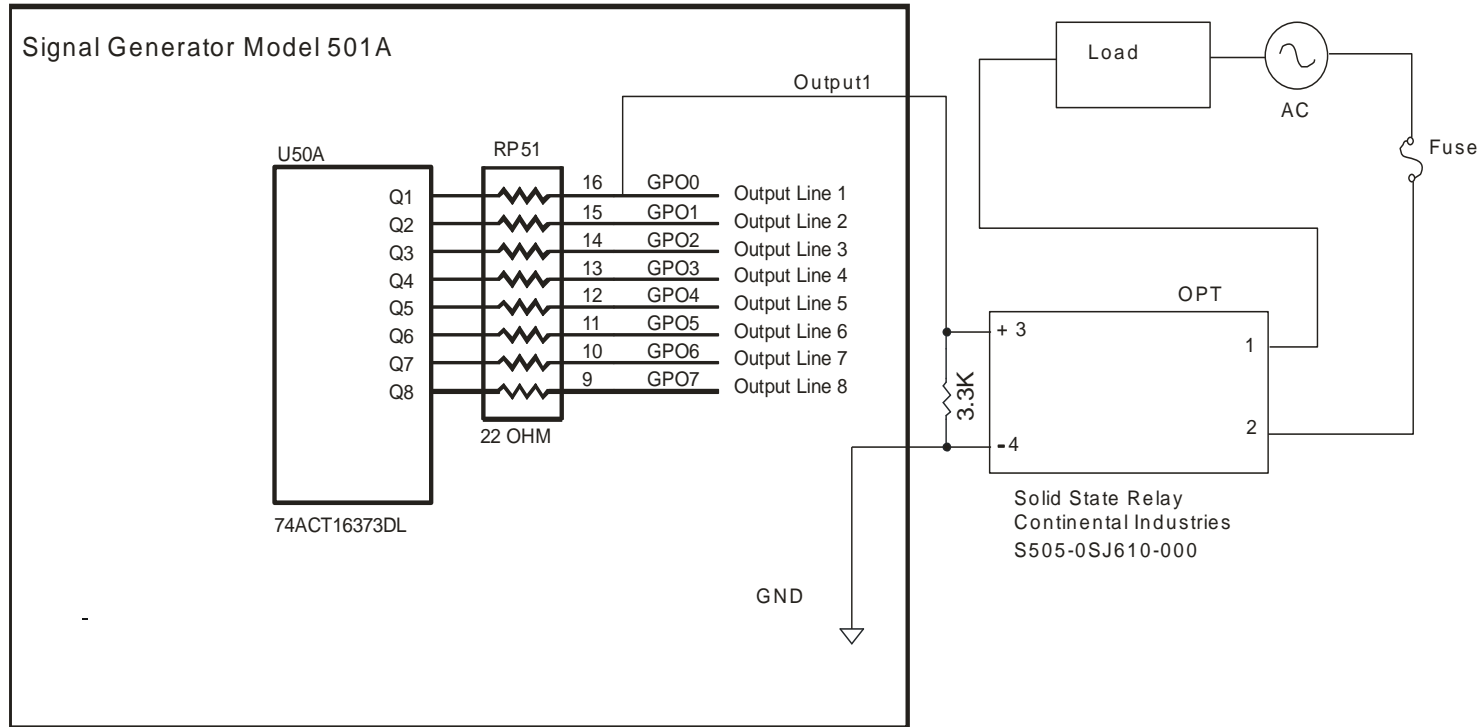
The above schematic shows a typical connection of a single axis motor driver to the motor signals of the Signal Generator. Each of the step and direction signals has a 22 ohm resistor in series with their outputs. This is to reduce any “ringing” at the transient switching points. In this example a 0.1mF capacitor was placed between the step signal and ground and between the direction signal and ground. This filters out any transient noise in the signals. It is better to place these capacitors on the drive unit rather than the Signal Generator.

Typical Motor Signal Circuit for Gecko Drives



The above schematic shows a typical connection of a single axis motor driver to the motor signals of the Signal Generator. Each of the step and direction signals has a 22-ohm resistor in series with their outputs. This is to reduce any “ringing” at the transient switching points.

Typical Output Line Circuit



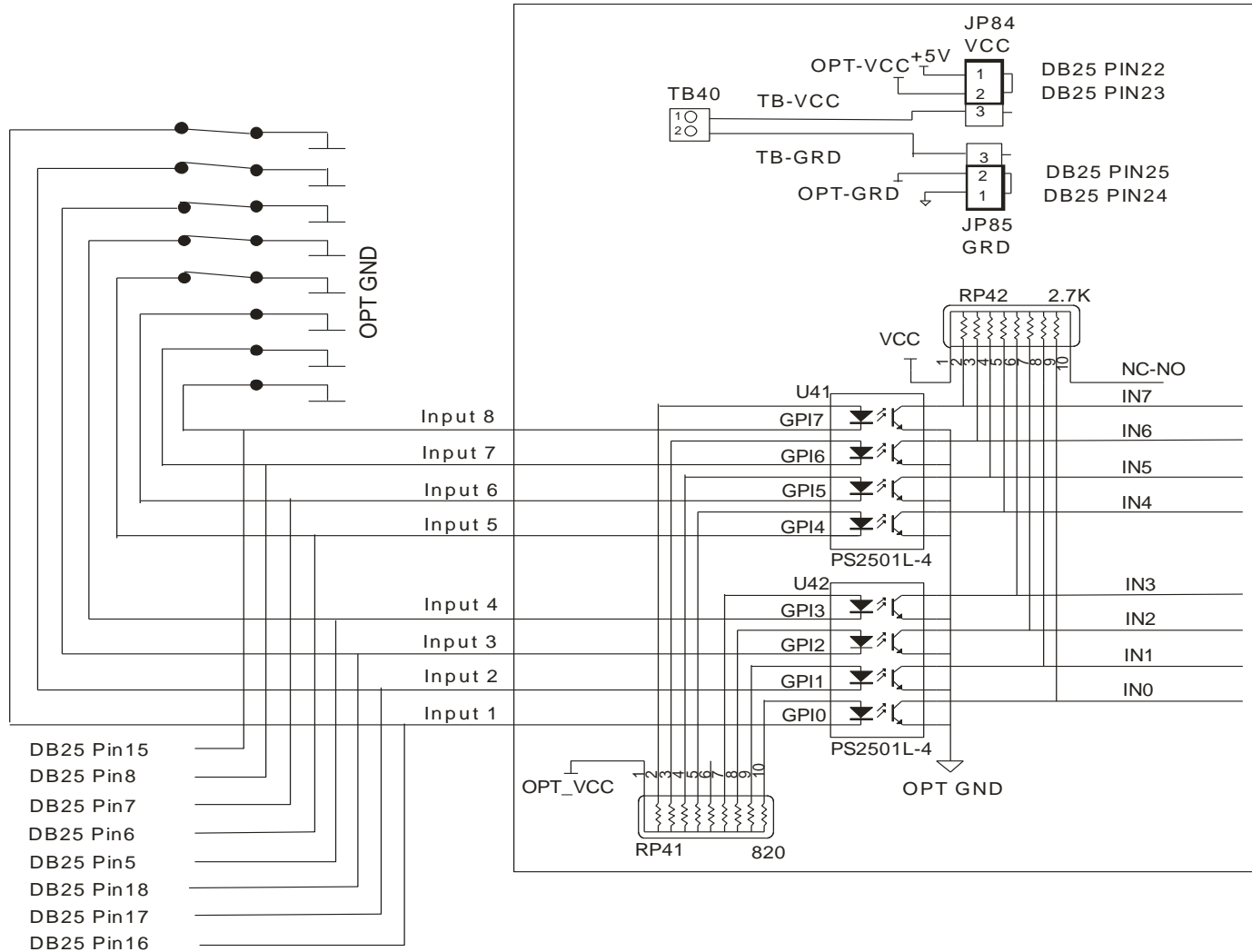
The above schematic shows a typical connection of one solid state relay controlled by output line 1 of the Signal Generator. A typical load would be a spindle, a vacuum, a laser, etc. In this example, the solid-state relay used is a Continental Industries model S505-0SJ610-000. It takes a 3 to 32VDC input and has an output of 24-330VAC.

Each of the output signals has a 22-ohm resistor in series with their outputs. This is to reduce any “ringing” at the transient switching points. Ground and 5V are provided on this connector for your convenience.

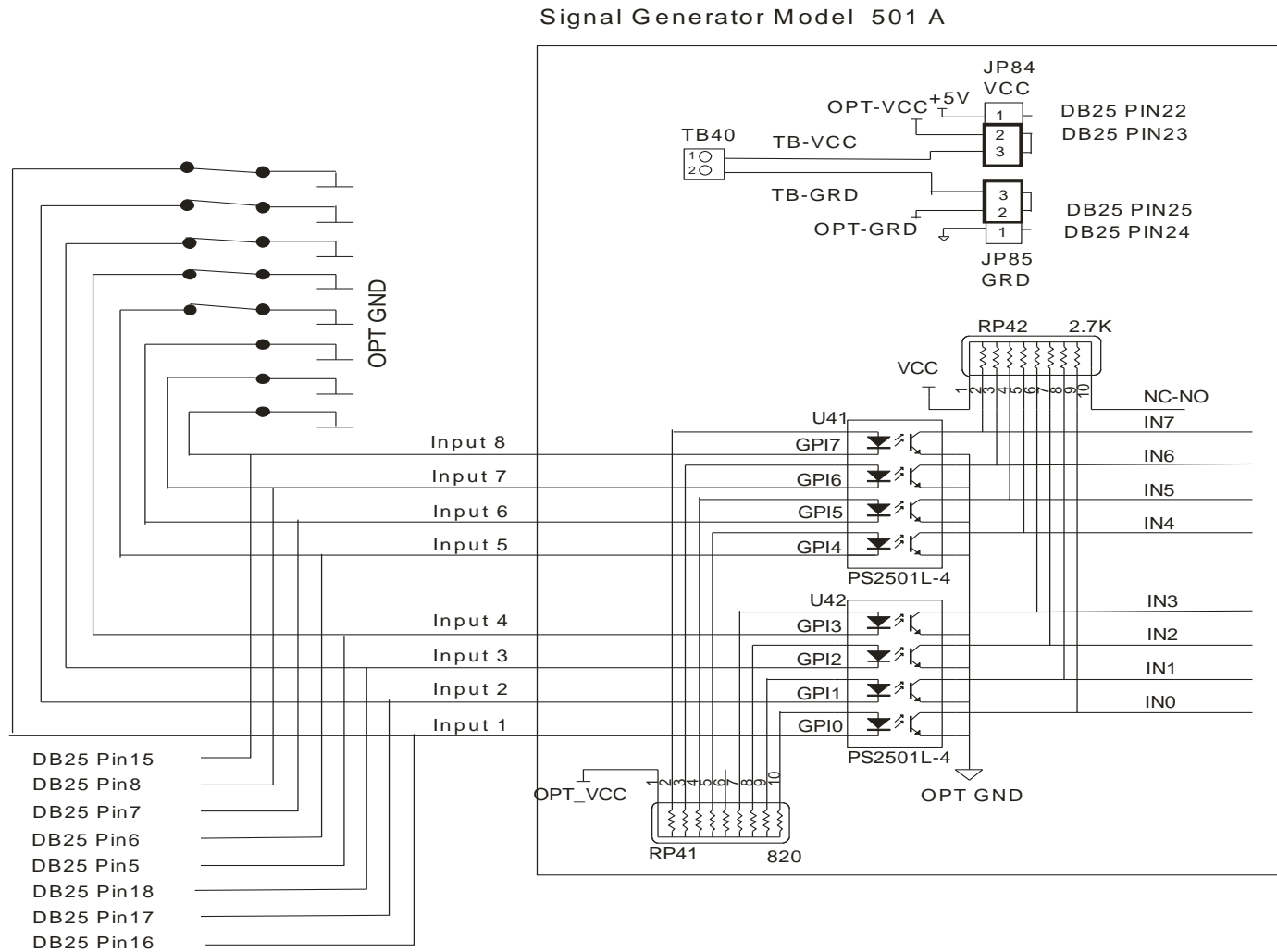
The FlashCut Spindle On/Off Relay Box is wired as shown in the above schematic.

Typical Input Line Circuit – Internal Power

Signal Generator Model 501 A



Typical Input Line Circuit – External Power



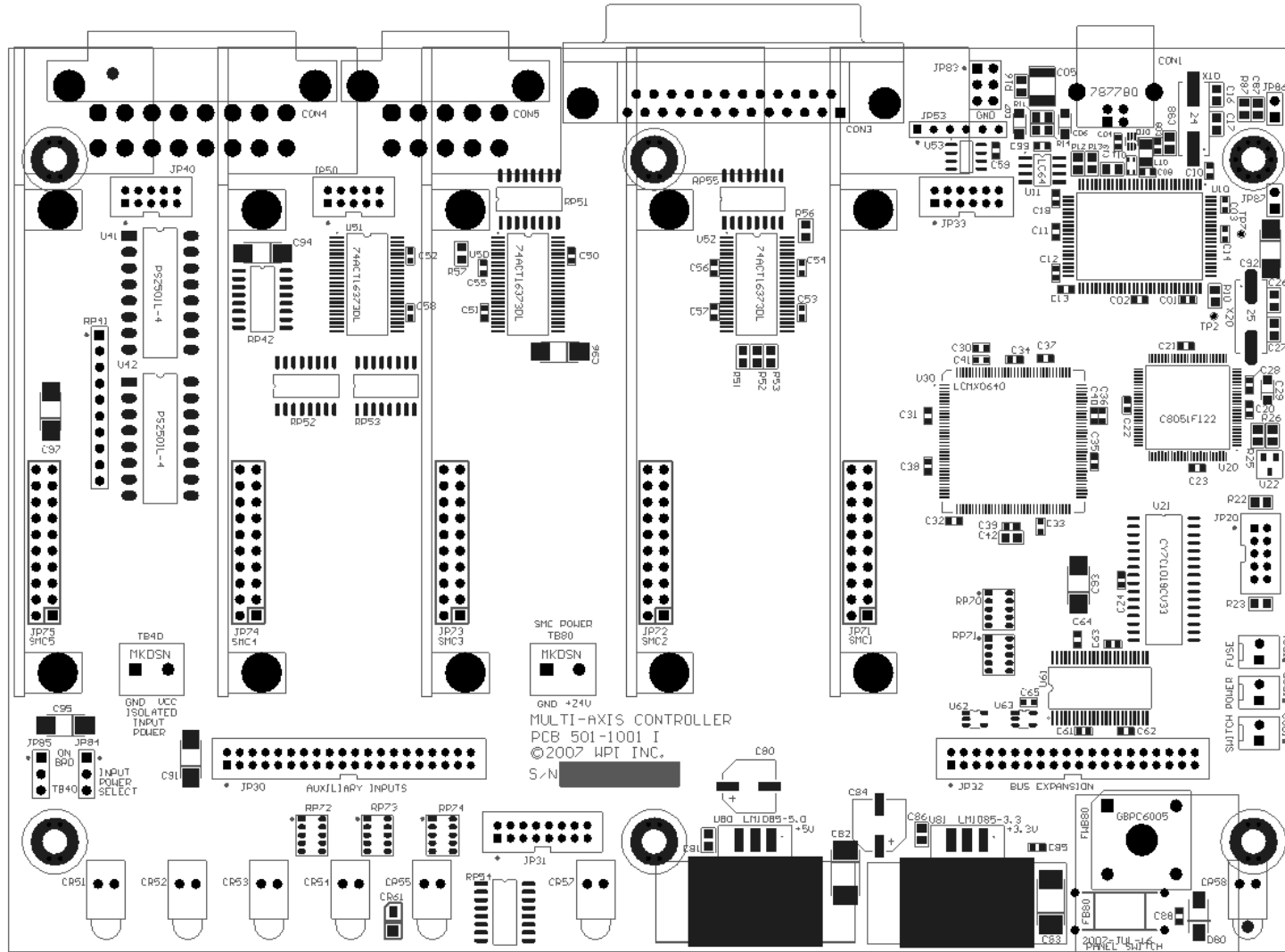
The above schematic shows a typical connection of 5 normally closed switches. These switches are connected between input lines 1-5 and ground. Lines 6-8 are connected directly to ground with jumper wires. All external connections shown are made through the Input connector on the back of the Signal Generator. This resistor pack (RP41) is socketed so that you can change the value if needed for your application.

The input lines are all optically isolated. In this example, JP84 and JP85 are shorted using the internal power to source the external side of the optical couplers. However, for the best isolation, JP84 and JP85 should be open, and power should be provided through pins 23 and 25 of the DB25 Motor Signal connector. Input lines 1-4 and 5- 8 are internally connected to pins 15-18 and 5-8 respectively of the DB25 Motor Signal connector.

Note that the FlashCut CNC limit switch kit has the same wiring as shown in this example.

4. Appendix

Signal Generator Board Layout



Connector Pin-Out Table

EXTERNAL CONNECTORS (RED)

CON1: STANDARD USB TYPE-A

CON3 – DB25F

GPO1	1	14	ENA
GP02	2	15	GPI1
STEP5	3	16	GPI2
DIR5	4	17	GPI3
GPI5	5	18	GPI4
GPI6	6	19	DIR4
GPI7	7	20	DIR3
GPI8	8	21	DIR2
DIR1	9	22	VCC
STEP4	10	23	OPT-VCC
STEP3	11	24	GND
STEP2	12	25	OPT-GND
STEP1	13		SHIELD

CON4 - INPUTS

OPT-GND	1	9	GPI1
OPT-GND	2	10	GPI2
OPT-GND	3	11	GPI3
OPT-GND	4	12	GPI4
OPT-GND	5	13	GPI5
OPT-GND	6	14	GPI6
OPT-GND	7	15	GPI7
OPT-GND	8	16	GPI8

CON5 - OUTPUTS

GPO1	1	6	GPO2
GPO3	2	7	GPO4
GPO5	3	8	GPO6
GPO7	4	9	GPO8
VCC	5	10	GND

INTERNAL CONNECTORS (ORANGE)

PIN 1 OF ALL HEADERS IS INDICATED BY A SMALL WHITE DOT PRINTED ON THE PCB.

JP30 – AUXILIARY INPUTS

2 X 20 - 2MM SPACING

+3.3V	1	2	+3.3V
GPI32	3	4	GPI1
GPI31	5	6	GPI2
GPI30	7	8	GPI3
GPI29	9	10	GPI4
GPI28	11	12	GPI5
GPI27	13	14	GPI6
GPI26	15	16	GPI7
GPI25	17	18	GPI8
GND	19	20	GND
GPI24	21	22	GPI9
GPI23	23	24	GPI10
GPI22	25	26	GPI11
GPI21	27	28	GPI12
GPI20	29	30	GPI13
GPI19	31	32	GPI14
GPI18	33	34	GPI15
GPI17	35	36	GPI16
+3.3V	37	38	+3.3V
GND	39	40	GND

JP31 – STATUS LEDS

2 X 8 - 2MM SPACING

+5V	1	2	N/C
LED-DIR1	3	4	LED-STEP1
LED-DIR2	5	6	LED-STEP2
LED-DIR3	7	8	LED-STEP3
LED-DIR4	9	10	LED-STEP4
LED-DIR5	11	12	LED-STEP5
LED-AUX	13	14	LED-USB
GND	15	16	LED-PWR

INTERNAL CONNECTORS (ORANGE)

JP32 – BUS EXPANSION

2 X 20 - 2MM SPACING

+3.3V	1	2	GND
CS6	3	4	STATUS6
TXD2	5	6	FAULT6
RXD2	7	8	AUX1-STB
OUT-ENA	9	10	AUX2-STB
OUT2-STB	11	12	OUT1-STB
OUT4-STB	13	14	OUT3-STB
+5V	15	16	+5V
GND	17	18	GND
A0	19	20	A1
DATA1	21	22	DATA2
DATA3	23	24	DATA4
DATA8	25	26	DATA7
DATA6	27	28	DATA5
+7V	29	30	+7V
SPHOME	31	32	ENC CLK
+3.3V	33	34	ENC DIR
AGND	35	36	AV+
DAC2	37	38	DAC1
ADC1	39	40	AGND

JP33 – STEP & DIRECTION

2 X 6 - 2MM SPACING

STEP5	1	2	ENA
STEP4	3	4	DIR5
STEP3	5	6	DIR4
STEP2	7	8	DIR3
STEP1	9	10	DIR2
GND	11	12	DIR1

INTERNAL CONNECTORS (ORANGE)**JP40 – INPUT AUX HEADER**

2 X 8 - 2MM SPACING

GPI1	1	2	OPT-GND
GPI2	3	4	OPT-GND
GPI3	5	6	OPT-GND
GPI4	7	8	OPT-GND
GPI5	9	10	OPT-GND
GPI6	11	12	OPT-GND
GPI7	13	14	OPT-GND
GPI8	15	16	OPT-GND

JP50 – OUTPUT AUX HEADER

2 X 5 - 2MM SPACING

GPO2	1	2	GPO1
GPO4	3	4	GPO3
GPO6	5	6	GPO5
GPO8	7	8	GPO7
GND	9	10	VCC

JP53 – OUT 1&2 LOW SIDE DRIVER

1 X 6 - 2MM SPACING

+5V VCC	1
CLAMP for GP02	2
GPO2 Low Side Driver	3
GPO1 Low Side Driver	4
CLAMP for GP01	5
LOGIC GND	6

JP80 - REAR PANEL POWER**JP81 - REAR PANEL FUSE****JP82 - FRONT PANEL SWITCH****CONFIGURATION JUMPERS (BLUE)**

PIN 1 OF ALL JUMPERS IS INDICATED BY A SMALL WHITE DOT PRINTED ON THE PCB.

JP83: CHASSIS GROUND

ALWAYS LEAVE OPEN UNLESS DIRECTED OTHERWISE BY FLASHCUT TECH SUPPORT

JP84/JP85: INPUT POWER SELECT

SHOULD BE JUMPED THE SAME WAY...
1-2: INPUTS DRIVEN BY ON-BOARD VCC
2-3: INPUTS BIASED BY VOLTAGE ON TB40

TERMINAL BLOCKS (GREEN)**TB40: ISOLATED INPUT POWER**

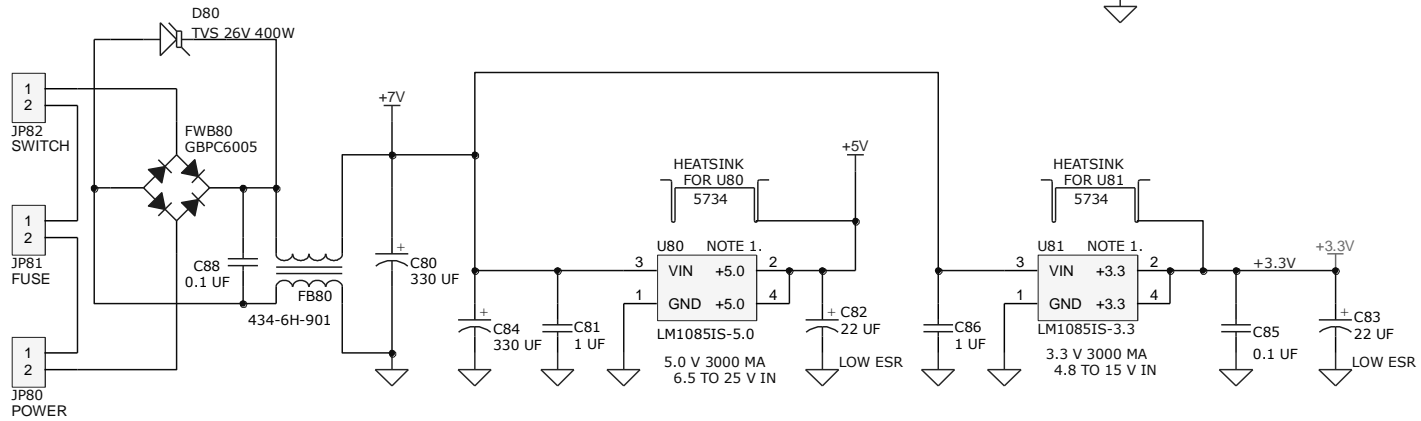
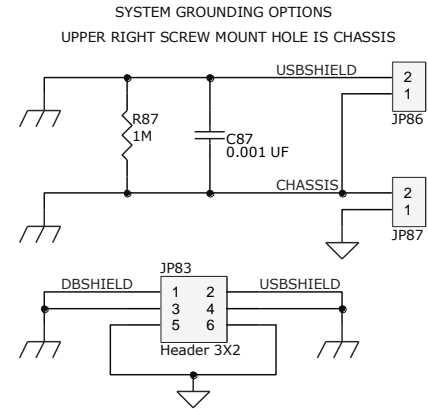
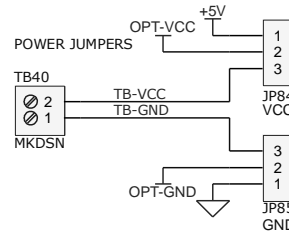
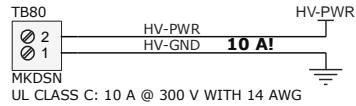
VOLTAGE APPLIED HERE BIASES INPUTS IF JP84/JP85 ARE SHORTED PINS 2-3; DO NOT EXCEED 5V ON THIS TERMINAL UNLESS SPECIFICALLY ARRANGED WITH FLASHCUT TECH SUPPORT.

TB80: SMC POWER (24V)

APPLY 24 VDC HERE TO BIAS THE STEPPER MOTOR CONTROLLER BOARD(S) PLUGGED INTO SLOTS SMC1-SMC5

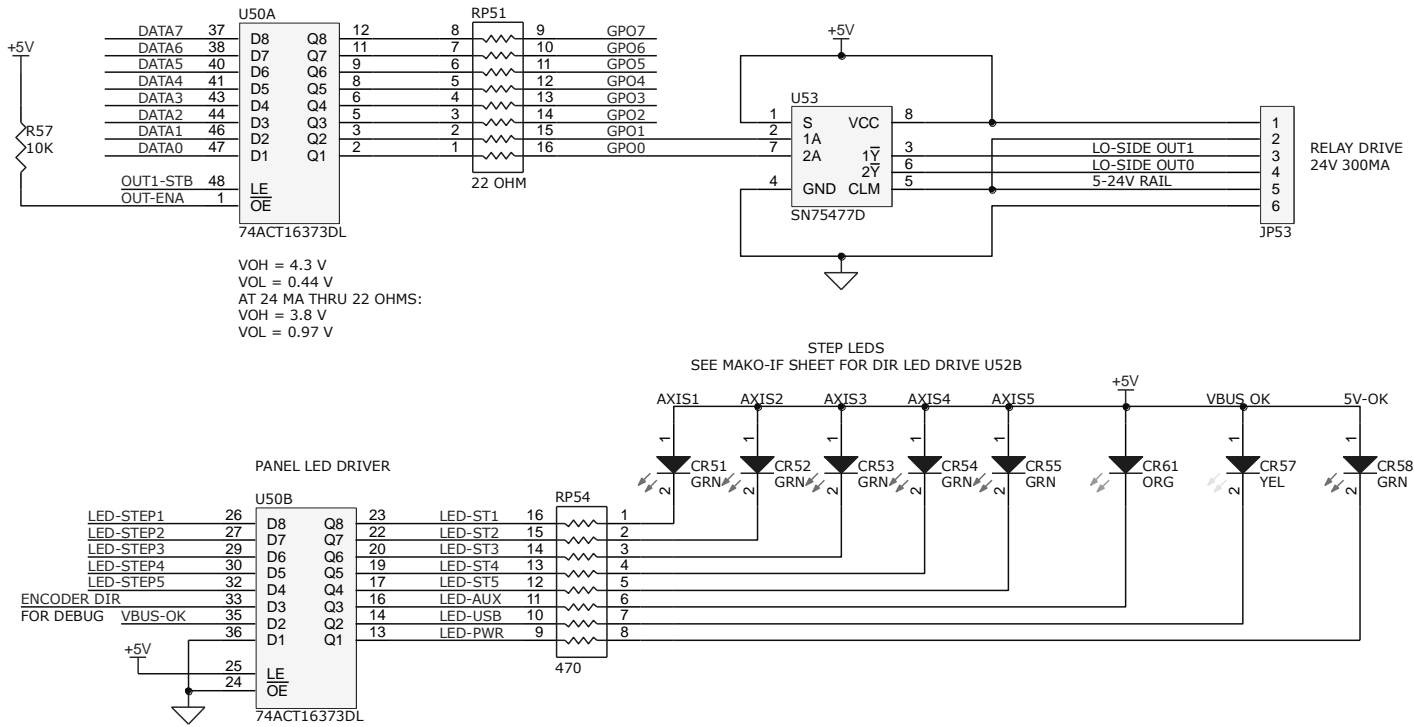
Power

24-40 V AT UP TO 10 A FOR FUNCTION SLOTS

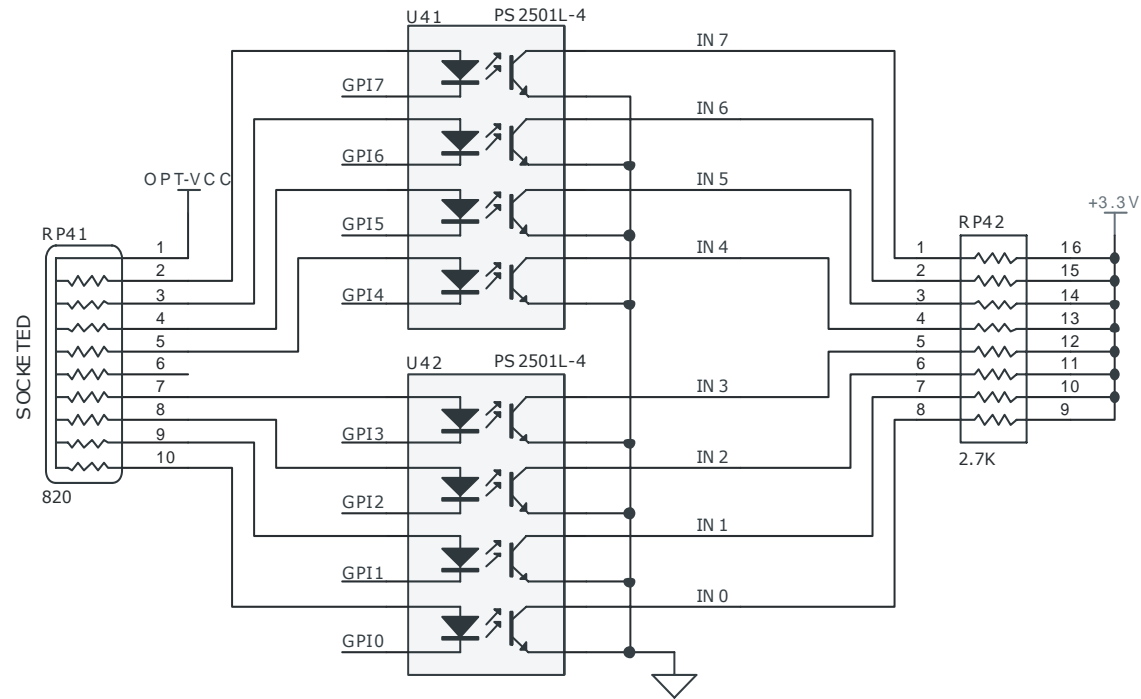


LOGIC POWER
9 - 24 VDC @ 2 A

Outputs

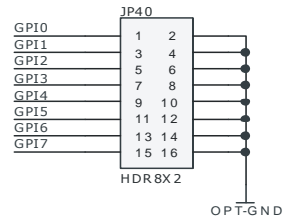


Inputs



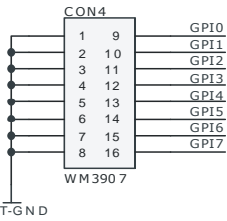
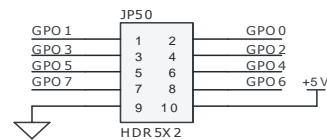
Connectors

INPUT AUX HEADER

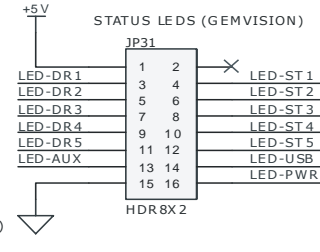
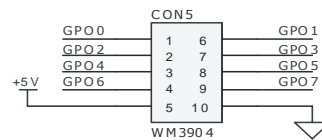


PINOUTS ARE FOR 1:1 MAPPING TO MINI-FIT JR.

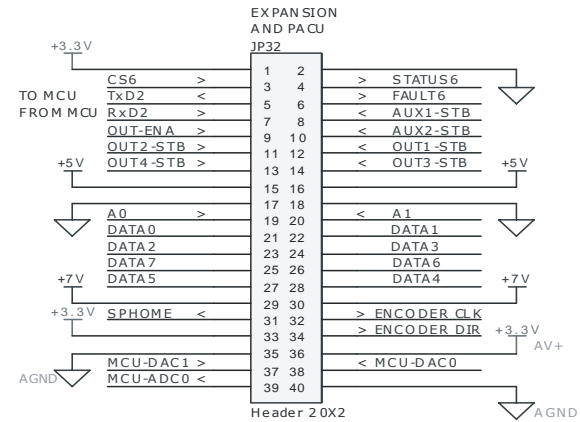
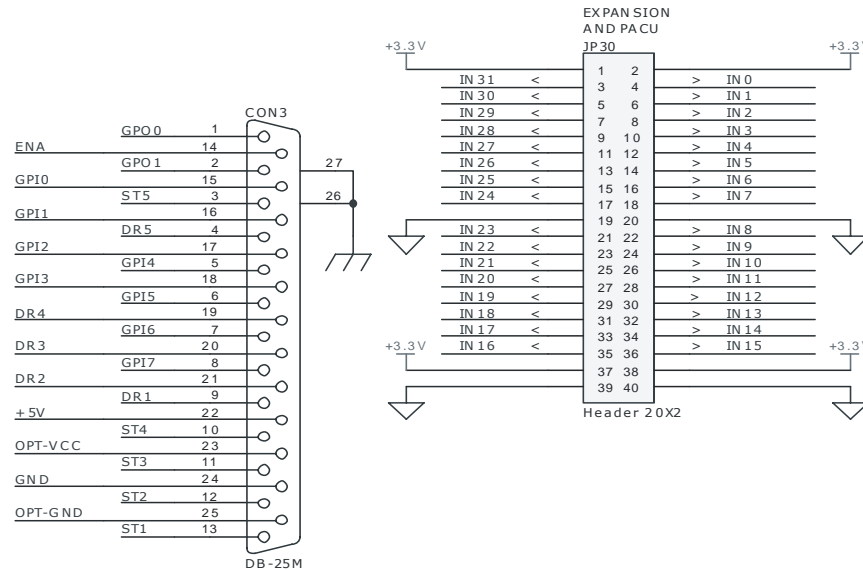
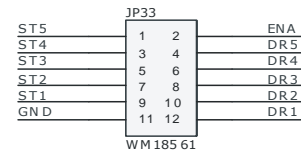
OUTPUT AUX HEADER



BACK PANEL MINI-FIT JR.S

SEE USB.SCHDOC FOR
USB CONNECTOR 1X4SEE POWER.SCHDOC FOR
PWR & SHIELDING JUMPER S
HV & 5V TERMINAL BLOCKSSEE MAKO-IFSCHDOC FOR
MAKO HEADERS 2X10 (5 EA)SEE MCU.SCHDOC FOR
FOR JTAG HEADER 2X5

STEP & DIR (GEMVISION)



Plug-In Card Interface

