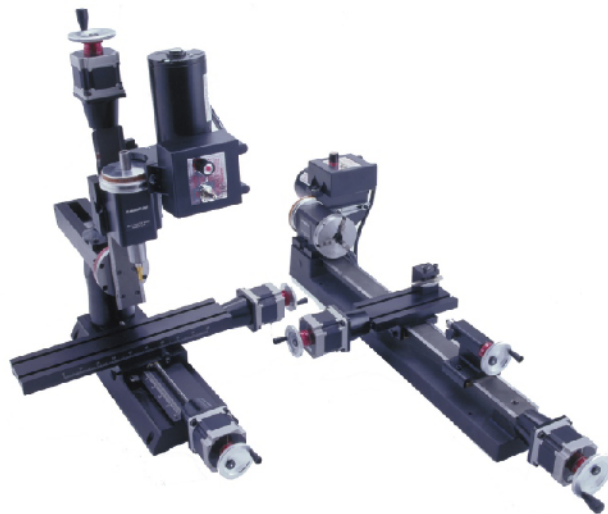


Compact CNC Controller

The FlashCut CNC Compact CNC Controller provides affordable, precision motion for controlling any multi-axis machine. It was elegantly engineered and built in the USA maintaining high quality and affordability. Since 1996, FlashCut CNC has continuously provided our customers with powerful, affordable and easy to use CNC controls. Whether your need is to control a cutting machine, lab equipment, general automation or a custom application, FlashCut CNC's software and electronics offer the power and flexibility to suit your needs. All our controls and retrofits are backed by the highest quality engineering and service. Please contact us or one of our representatives to see how FlashCut CNC can control your application.



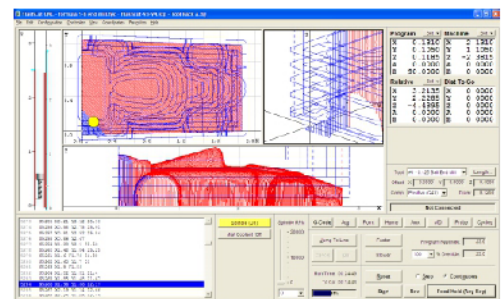
The FlashCut Compact CNC Controller is a low cost microstepping controller for up to 5 axes of coordinated motion all in one box.



Perfect for controlling small CNC machines and general lab automation. Turn-key machines and retrofit kits available - complete with motors and cables.

Features

- Affordable, compact unit for coordinated control of to five motors.
- Quiet microstepping technology with software settable levels.
- Adjustable current up to 2.5 A per axis.
- Plugs into any PC with a USB port.
- Driven by world-acclaimed FlashCut CNC software.
- Compatible with Windows 7, Vista and XP. (32 and 64 bit)
- Utilizes distributed processing for guaranteed smooth motion.
- 8 inputs and 8 outputs included.
- A wide range of accessories available.
- OEM private labeling available for software and electronics.
- Perfect for running small CNC machines and general lab automation.



Includes FlashCut's intuitive Windows based CNC software that can be easily tailored to control any machine tool or automation task.

Call Toll Free
1-888-88 FLASH
(1-888-883-5274)
www.flashcutcnc.com
sales@flashcutcnc.com

Sales Office
444 Lake Cook Rd., Ste. 22
Deerfield, IL 60015
(847) 940-9305
(847) 940-9315 Fax

